

ENERPAC 

Flange Alignment Tool

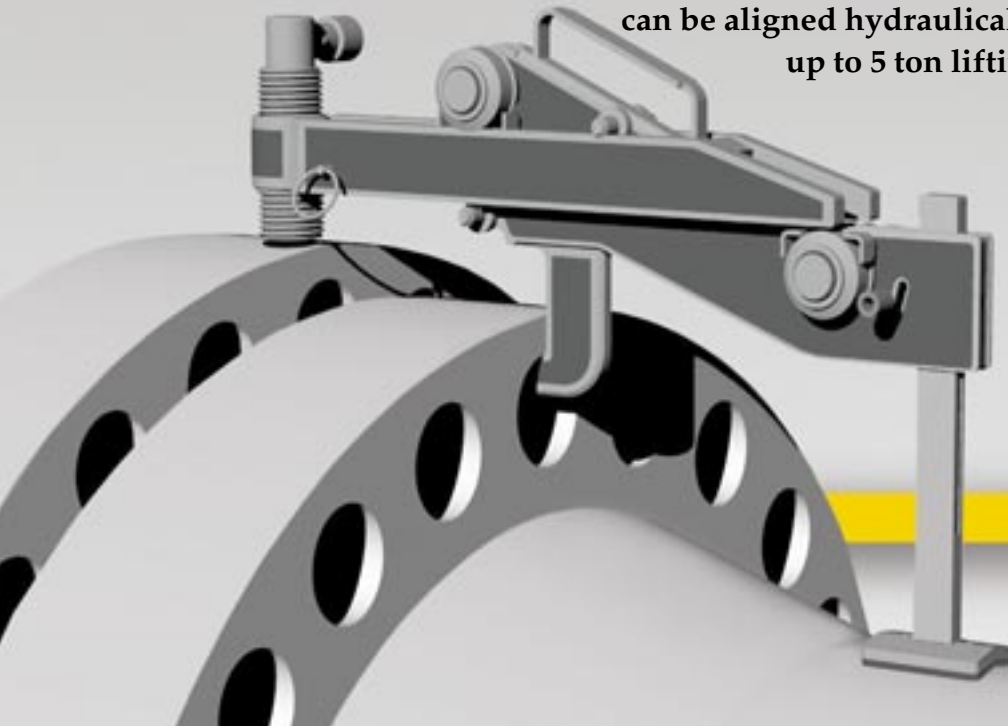


ENERPAC 
Hydraulic Technology Worldwide

Rectify linear and rotational misalignment without additional stress in pipe lines

Now you can stop using unsafe slings and hooks to align bolt holes.

With the new Enerpac portable ATM-5 flanges and pipe lines
can be aligned hydraulically with high precision
up to 5 ton lifting force in a extremely
safe and easy way.




Hydraulic Flange Alignment Tool

▼ ATM-5



- Rectifies linear and rotational misalignment without additional stress in pipe lines
- For most commonly used ANSI, API, BS and DIN flanges
- No slings, hooks or lifting gear required. Extremely safe
- Fits when flange joint is between 93-228 mm [3.75-9 inch] apart and bolt hole size 31,5 mm [1.25 inch] or greater
- Highly adjustable reach of wing allows precise alignment
- Can be installed and used in any position and any location
- Stays stable in position under full load
- Including 700 bar hydraulics: RC-53 single-acting cylinder, P-142 two-speed handpump and 1,8 meters long safety hose (HC-7206C)
- Complete in aluminium storage case.

| Maximum Lifting Force ¹⁾ ton (kN) | Model Number | Minimum Bolt Hole Diameter | | Flange Wall Thickness min. - max. | |  ²⁾ (kg) |
|--|--------------|----------------------------|--------|-----------------------------------|-----------|--|
| | | (mm) | (inch) | (mm) | (inch) | |
| 5,0 (45) | ATM-5 | 31,5 | 1 1/4 | 80 - 203 | 3 1/8 - 8 | 16,2 |

¹⁾ At 700 bar maximum operating pressure.

²⁾ ATM-5 weight including hydraulic cylinder. Total set weight 28,2 kg.

More bolting tools:



Wedge Spreaders FSH-14 and FSM-8

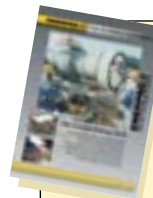
Friction-free, smooth and parallel wedge movement with unique interlock wedge design. Eliminates flange damage and risk of spreading arm failure.



Hand-operated Alignment Tools

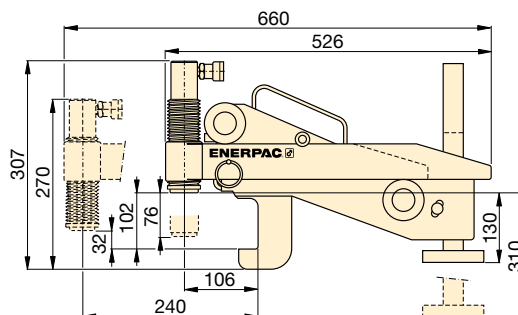
Aligning smaller flanges from 17 up to 115 mm flange wall thickness

can be done using **ATM-1** and **ATM-3**. Visit www.enerpac.com or call.



Bolting Tools Catalogue

Ask for the Enerpac Bolting Catalogue for the complete range of quality bolting tools as torque wrenches, torque wrench pumps, nut splitters, flange spreaders and alignment tools.



Your Enerpac Distributor:

ENERPAC 

Enerpac Worldwide Locations

Sydney, Australia
Tel: +61 297 438 988

Sao Paulo, Brazil
Tel: +55 11 5687 2211

Ontario, Canada
Tel: +1 905 564 5749

Shanghai, China
Tel: +86 21 5866 9099
Beijing, China
Tel: +86 10 845 36166

Massy, France
Tel: +33 1 601 368 68

Düsseldorf, Germany
Tel: +49 211 471 490

Navi Mumbai, India
Tel: +91 22 2778 1472

Milano, Italy
Tel: +39 02 4861 111

Tokyo, Japan
Tel: +81 484 30 1055

Ede, The Netherlands
Tel: +31 318 535 911

Singapore
Tel: +65 64 84 5108
+65 64 84 3737

Seoul, South Korea
Tel: +82 31 434 4506

Madrid, Spain
Tel: +34 91 661 11 25

New Romney, UK
Tel: +44 1527 598 900

Dubai, U. A. E.
Tel: +971 (0)4 8872686

Milwaukee, USA
Tel: +1 262 781 6600

info@enerpac.com
www.enerpac.com